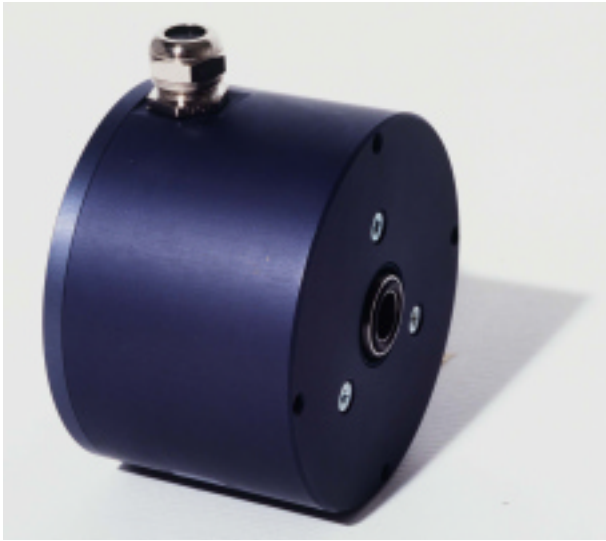
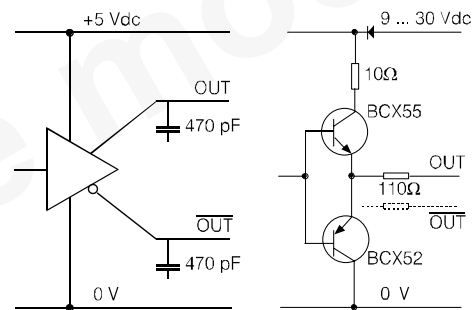
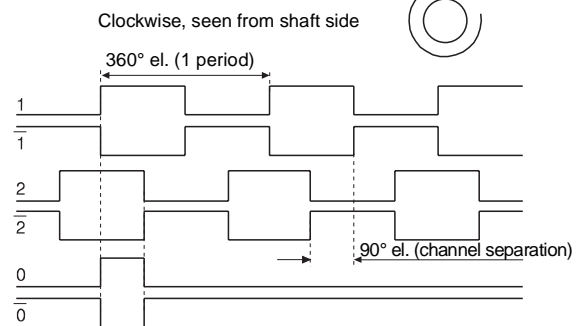


**086****HEAVY DUTY HOLLOW SHAFT ENCODER**

- Extremely robust housing for harsh environments
- Shock and vibration protected
- IP 65, encapsulation class
- 5 Vdc or 9...30 Vdc
- 6 Outputs 1,  $\bar{1}$ , 2,  $\bar{2}$ , 0,  $\bar{0}$

**ELECTRICAL SPECIFICATION**

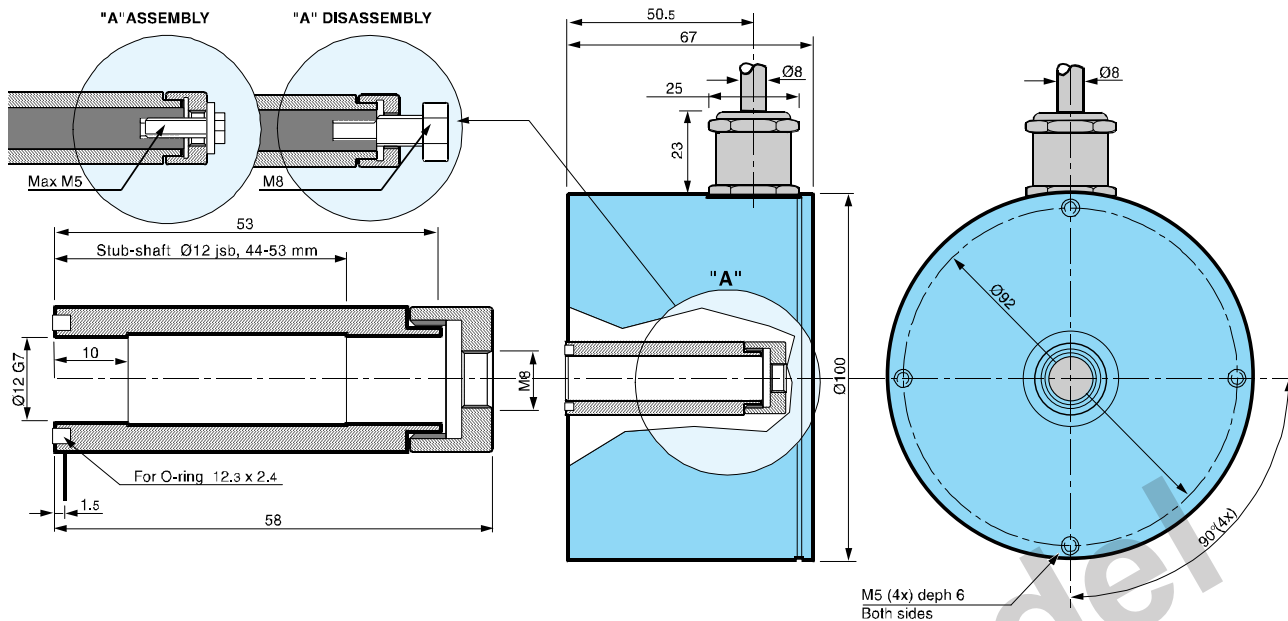
Supply voltage	5 Vdc $\pm$ 5% or 9...30 Vdc
Current consumption	Typ 110 (60) mA, max. 160 (80) mA, 5 V (9...30 V)
Output signals	1, $\bar{1}$ , 2, $\bar{2}$ , 0, $\bar{0}$ . See figure
Line counts (free choice)	150...5 000
Measuring steps	Max. 20 000/r
Outputs:	
5 Vdc	Line Driver 75114
9...30 Vdc	$U_{High} \geq 17$ V, $U_{Low} \leq 6$ V (at 40 mA, 24 V), polarity protected
Load max.	40 mA sink/source
Frequency range	0...100 kHz
Accuracy:	
Dividing error	$\pm 50^\circ$ el for $\leq 1024$ ppr, $\pm 0.05^\circ$ for $> 1024$ ppr
Channel separation	$90 \pm 25^\circ$ el
Cable length Max.	1.5 m shielded ( $2 \times 0.34 \text{ mm}^2 + 6 \times 0.22 \text{ mm}^2$ )
(Leine & Linde cable)	350 m at 100 kHz, 20 mA, 25°C, 30 Vdc

**OUTPUT CIRCUIT****OUTPUT SIGNALS****CONNECTION**

Function	Colour
1	Green
$\bar{1}$	White
$\bar{2}$	Black
2	Yellow
+E Volt	Red
0 V	Blue
0	Brown
$\bar{0}$	Violet
Case	Shield

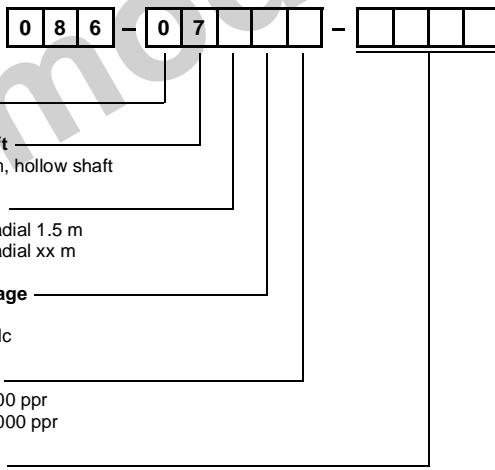
# 086

## HEAVY DUTY HOLLOW SHAFT ENCODER

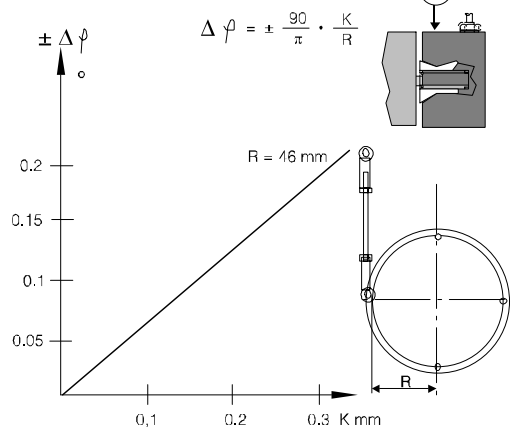


### MECHANICAL SPECIFICATION

Shaft speed max.	3500 rpm
Moment of inertia	42 x 10 <sup>-6</sup> kgm <sup>2</sup>
Shaft load max.	Radial 300 N, axial 100 N
Hollow-shaft, stainless steel	Ø 12 mm
Code disc	Unbreakable acrylic glass
Housing	Aluminium, anodized
Weight	Approx. 1250 g
Protection class	IP 65 according to IEC 529
Operating temperature	0°C...+60°C
Storage temperature	-25°C...+70°C
Vibration	≤ 100 m/s <sup>2</sup> (50...2000 Hz)
Shock	≤ 1000 m/s <sup>2</sup> (11 ms)



### MISALIGNMENT ERROR



Leine & Linde AB, Box 8, 645 21 Strängnäs, Sweden. Olivehällsvägen 8.  
Phone: +46 (0)152 265 00. Fax: +46 (0)152 265 05. E-mail: info@leinelinde.se