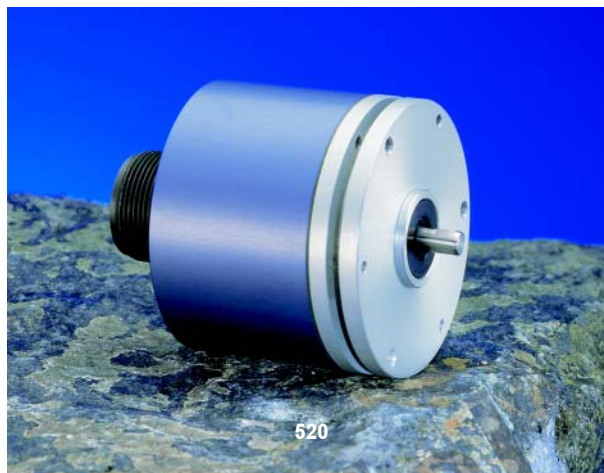




Incremental encoder

- ▶ 6 short-circuit protected outputs
1, $\bar{1}$, 2, $\bar{2}$, 0, $\bar{0}$
- ▶ IP 65, encapsulation class
- ▶ 5 Vdc or 9...30 Vdc
- ▶ Robust housing for harsh environment
- ▶ Shock and vibration protected



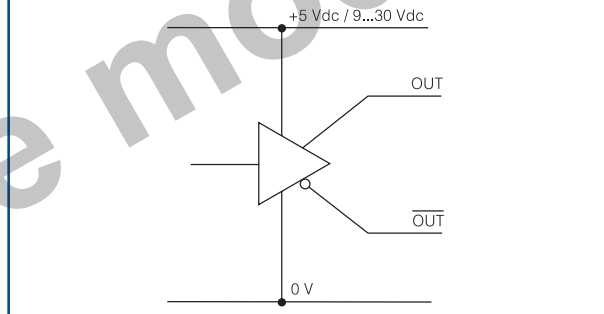
ELECTRICAL SPECIFICATION

Supply voltage +EV	9-30V	5V ±10%
	Polarity protected	---
Current consumption at no load	65mA @ 24V Max 75mA	45mA Max 70mA
Line counts (free choice)	1...5000	
Measuring steps	Max 20 000/r	
Accuracy		
Dividing error	± 50° el	
Channel separation	90° ± 25° el	
Outputs	HTL	RS-422, TTL
	Short circuit protected	
Load max	± 40mA	± 20mA
Max cable length	200m @ 50kHz	1km (TIA/EIA-422-B)
U _{high} (at 10mA load)	> +EV - 2,0V	> 3,0V
U _{low} (at 10mA load)	< 1,15V	< 0,4V
Frequency range	0...200kHz	

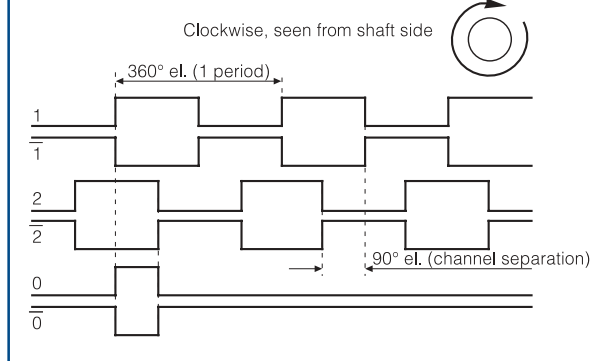
ACCESSORIES

Mating connector	
Options -00-	Part. No. 00201009 (8 pin PT)
Options -02- anged	Part. No. 00201012 (10 pin MS) Part. No. 00201016
Mounting bracket	See datasheets for accessories
Mounting kit	
Bearing box	
Couplings	

OUTPUT CIRCUIT



OUTPUT SIGNALS



CONNECTION

Function	8 pin PT	10 pin MS	Colour
1	A	A	Green
$\bar{1}$	B	B	White
2	C	C	Black
$\bar{2}$	D	D	Yellow
+ E Volt	E	E	Red
0 Volt	F	F	Blue
0	G	G	Brown
$\bar{0}$	H	H	Violet
Case			Shield

