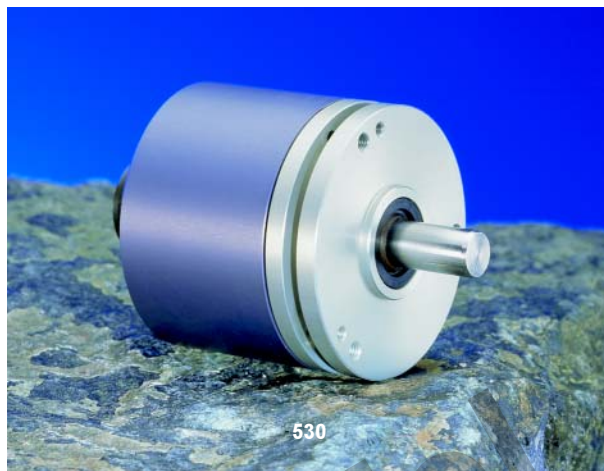




Incremental encoder

- ▶ 6 short-circuit protected outputs
1, $\bar{1}$, 2, $\bar{2}$, 0, $\bar{0}$
- ▶ IP 65, encapsulation class
- ▶ 5 Vdc or 9...30 Vdc
- ▶ Robust housing for harsh environment
- ▶ Shock and vibration protected



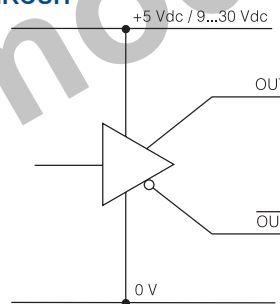
ELECTRICAL SPECIFICATION

Supply voltage +EV	9-30V	5V ±10%
	Polarity protected	---
Current consumption at no load	65mA @ 24V Max 75mA	45mA Max 70mA
Line counts (free choice)	1...5000	
Measuring steps	Max 20 000/r	
Accuracy		
Dividing error	± 50° el	
Channel separation	90° ± 25° el	
Outputs	HTL	RS-422, TTL
	Short circuit protected	
Load max	± 40mA	± 20mA
Max cable length	200m @ 50kHz	1km (TIA/EIA-422-B)
U _{high} (at 10mA load)	> +EV - 2,0V	> 3,0V
U _{low} (at 10mA load)	< 1,15V	< 0,4V
Frequency range	0...200kHz	

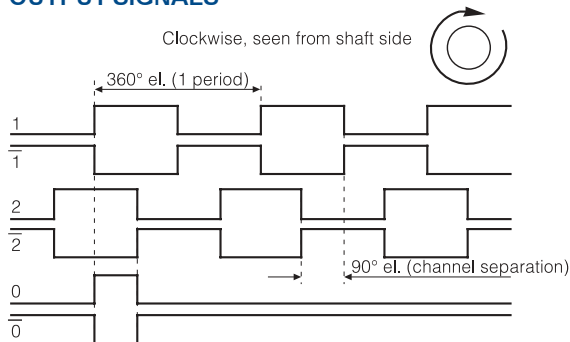
ACCESSORIES

Mating connector	
Options -00-	Part. No. 00201009 (8 pin PT)
Options -01- anged	Part. No. 00201007 (6 pin MS)
Options -05-	Part. No. 01209090 (12 pin EML)
Mounting bracket	See datasheets for accessories
Mounting kit	
Bearing box	
Couplings	

OUTPUT CIRCUIT



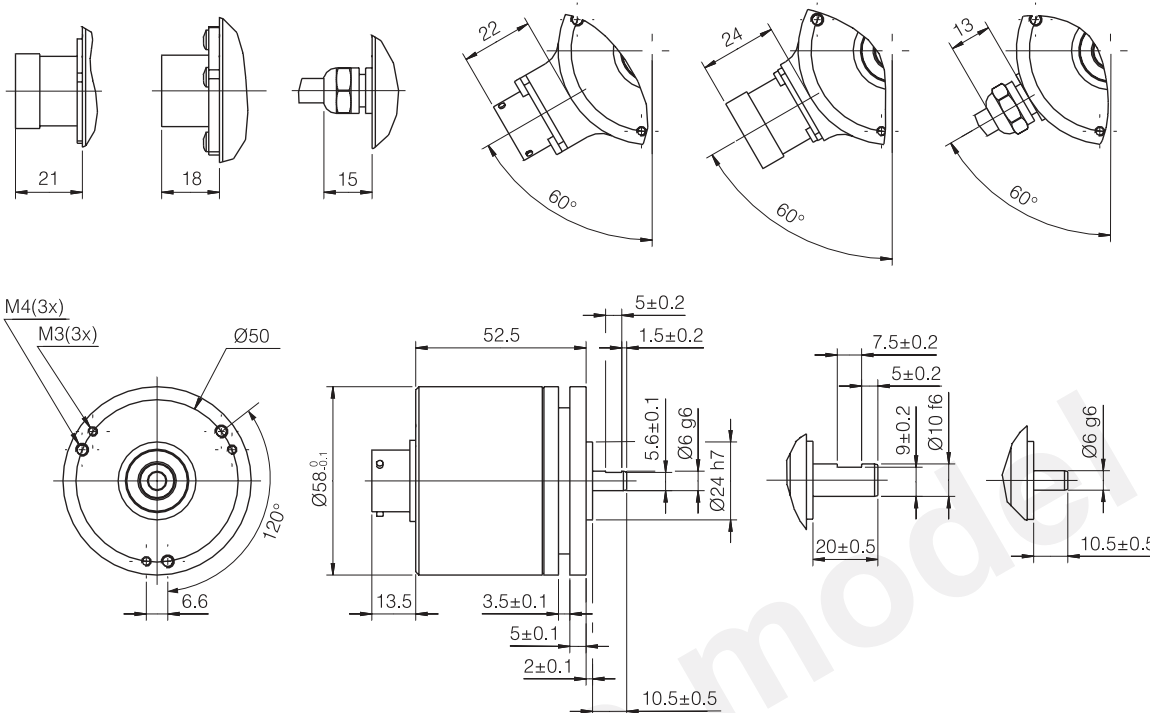
OUTPUT SIGNALS



CONNECTION

Function	8 pin PT	6 pin MS	12 pin EML	Colour
1	A	A	8	Green
$\bar{1}$	B	B	1	White
2	C	C	6	Black
$\bar{2}$	D	D	5	Yellow
+ E Volt	E	E	12	Red
0 Volt	F	F	10	Blue
0	G		3	Brown
$\bar{0}$	H		4	Violet
Case				Shield

530



MECHANICAL SPECIFICATION

Shaft, Stainless steel	Ø 6, 10mm
Moment of inertia	2,6 x 10 ⁻⁶ kgm ²
Load max	
Radial	60N
Axial	50N
Speed max	6000 rpm (12000 rpm)
Code disc	Standard
Temperature	
Operating	-25°C ... +70°C
Storage	-25°C ... +70°C
Housing	Aluminum, anodized
Weight	Approx. 300g
Protection class	IP 65 according to IEC 529
Vibration	<100m/s ² (50...2000 Hz)
Shock	<1000m/s ² (11ms)
Cable	6x0,25mm ² 2x0,35mm ² PVC

ORDERING INFORMATION

5 3 0 - [] - []

Option

00 = Standard, cable or 8-pin PT
 01 = 6 pin MS connector *
 05 = 12 pin EML connector

Shaft

1 = Ø 6mm face
 2 = Ø 6mm round
 6 = Ø 10mm face

Connection

0 = Connector, axial
 1 = Cable, axial 1.5 m
 2 = Connector, radial
 3 = Cable, radial 1.5 m
 8 = Cable, axial xx m
 9 = Cable, radial xx m

Supply voltage

1 = 5 Vdc
 5 = 9...30 Vdc
 7 = 9...30 Vdc (RS-422 outputs)

Internal use

1 = 1 ... 2500 ppr
 2 = 2501 ... 4999 ppr
 4 = 4096 or 5000 ppr

Line counts

* Not available with radial connection



Leine & Linde AB, Box 8, SE-645 21 Strängnäs, Sweden. Olivehällsvägen 8.
 Phone: +46 (0)152 265 00. Fax: +46 (0)152 265 05. E-mail: info@leinelinde.se

02-04-08 PS. Specifications can be changed without prior notice.