

540 / 541



Incremental encoders

- ▶ 6 short-circuit protected outputs
1, 1, 2, 2, 0, 0
- ▶ IP 65, encapsulation class
- ▶ 5 Vdc or 9...30 Vdc



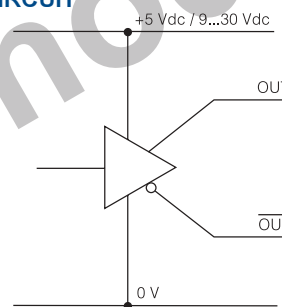
ELECTRICAL SPECIFICATION

| | | |
|----------------------------------|-------------------------|---------------------|
| Supply voltage +EV | 9-30V | 5V ±10% |
| | Polarity protected | --- |
| Current consumption at no load | 65mA @ 24V Max 75mA | 45mA Max 70mA |
| Line counts (free choice) | 1...5000 | |
| Measuring steps | Max 20 000/r | |
| Accuracy | | |
| Dividing error | ± 50° el | |
| Channel separation | 90° ± 25° el | |
| Outputs | HTL | RS-422, TTL |
| | Short circuit protected | |
| Load max | ± 40mA | ± 20mA |
| Max cable length | 200m @ 50kHz | 1km (TIA/EIA-422-B) |
| U _{high} (at 10mA load) | > +EV - 2,0V | > 3,0V |
| U _{low} (at 10mA load) | < 1,15V | < 0,4V |
| Frequency range | 0...200kHz | |

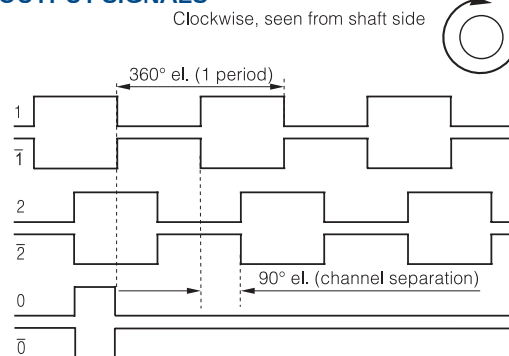
ACCESSORIES

| | |
|-----------------------------|------------------------------------------------------|
| Mating connector | |
| Options -00- anged | Part. No. 00201012 (10 pin MS) Part. No. 00201016 |
| Options -03-, -04- anged | Part. No. 00201020 (7 pin MS) Part. No. 00201019 |
| Options -05- | Part. No. 00201030 (12 pin EML) |
| Couplings | See datasheets for accessories |

OUTPUT CIRCUIT



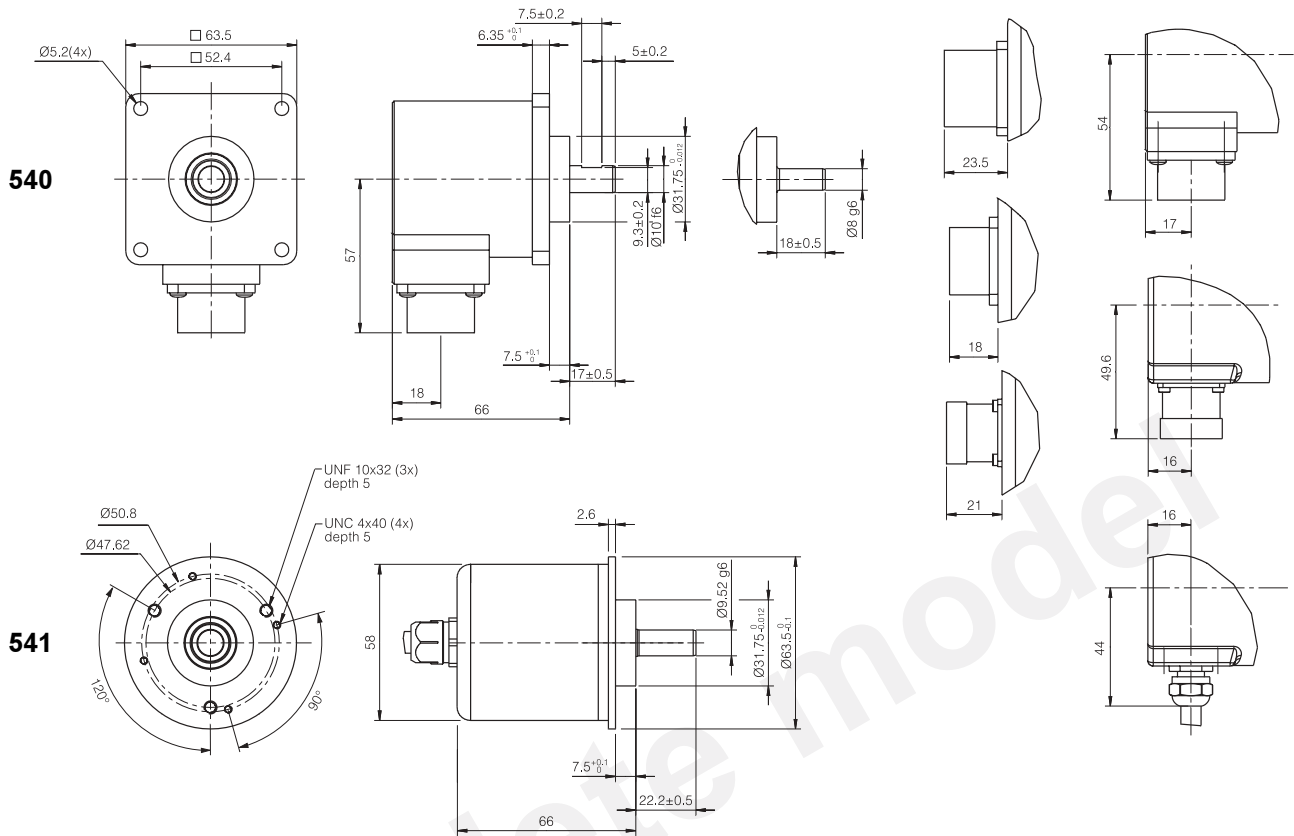
OUTPUT SIGNALS



CONNECTION

| Function | 10pin MS | 12pin EML | 7pin MS Option -03- | 7pin MS Option -04- | Colour |
|----------------|----------|-----------|------------------------|------------------------|--------|
| 1 | A | 5 | A | A | Green |
| 2 | B | 8 | B | B | Yellow |
| 0 | C | 3 | C | | Red |
| + E Volt | D | 12 | D | D | Violet |
| Sensor +E Volt | E | | E | | |
| 0 Volt | F | 10 | F | F | White |
| 1-bar | G | 6 | | C | Blue |
| 2-bar | H | 1 | | E | Black |
| 0-bar | I | 4 | | | Brown |
| Case | | | | | Shield |

540 / 541



MECHANICAL SPECIFICATION

| | |
|------------------------|-------------------------------------------------|
| Shaft, Stainless steel | Ø8mm, Ø9.52mm, Ø10mm |
| Moment of inertia | 2,6 x 10 ⁻⁶ kgm ² |
| Load max | |
| Radial | 60N |
| Axial | 50N |
| Speed max | 6000 rpm (12000 rpm) |
| Code disc | Standard |
| Temperature | |
| Operating | -25°C ... +70°C |
| Storage | -25°C ... +70°C |
| Housing | Aluminum, anodized |
| Weight | Approx. 300g |
| Protection class | IP 65 according to IEC 529 |
| Vibration | <100m/s ² (50...2000 Hz) |
| Shock | <1000m/s ² (11ms) |
| Cable | 6x0,25mm ² 2x0,35mm ² PVC |

ORDERING INFORMATION



- Type**
 40 = Square flange
 41 = Round flange
- Option**
 00 = Standard, cable or 10 pin MS
 03 = 7 pin MS connector (1, 2, 0)
 04 = 7 pin MS connector (1, 1, 2, 2)
 05 = 12 pin EML connector
- Shaft**
 4 = Ø 8 mm
 5 = Ø 9,52 mm (3/8")
 6 = Ø 10 mm with face
- Connection**
 0 = Connector, axial (see option)
 1 = Cable, axial 1.5 m
 2 = Connector, radial (see option)
 3 = Cable, radial 1.5 m
 8 = Cable, axial xx m
 9 = Cable, radial xx m
- Supply voltage**
 1 = 5 Vdc
 5 = 9...30 Vdc
- Internal use**
 1 = 1 ... 2500 ppr
 2 = 2501 ... 4999 ppr
 4 = 4096 or 5000 ppr
- Line counts**



Leine & Linde AB, Box 8, SE-645 21 Strängnäs, Sweden. Olivehällsvägen 8.
 Phone: +46 (0)152 265 00. Fax: +46 (0)152 265 05. E-mail: info@leinelinde.se

02-04-08 PS. Specifications can be changed without prior notice.