

560 / 562



Incremental hollow-shaft encoders

- ▶ 6 short-circuit protected outputs
1, $\bar{1}$, 2, $\bar{2}$, 0, $\bar{0}$
- ▶ IP 65, encapsulation class
- ▶ 5 Vdc or 9...30 Vdc
- ▶ All through hollow shaft
- ▶ Robust housing for harsh environment
- ▶ Shock and vibration protected



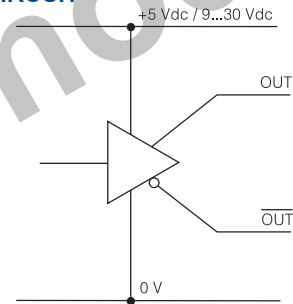
ELECTRICAL SPECIFICATION

Supply voltage +EV	9-30V	5V ±10%
	Polarity protected	---
Current consumption at no load	65mA @ 24V Max 75mA	45mA Max 70mA
Line counts (free choice)	1...3600 (4096, 5000 model 560-)	
Measuring steps	Max 20 000/r	
Accuracy		
Dividing error	± 50° el	
Channel separation	90° ± 25° el	
Outputs	HTL	RS-422, TTL
	Short circuit protected	
Load max	± 40mA	± 20mA
Max cable length	200m @ 50kHz	1km (TIA/EIA-422-B)
U _{high} (at 10mA load)	> +EV - 2,0V	> 3,0V
U _{low} (at 10mA load)	< 1,15V	< 0,4V
Frequency range	0...200kHz	

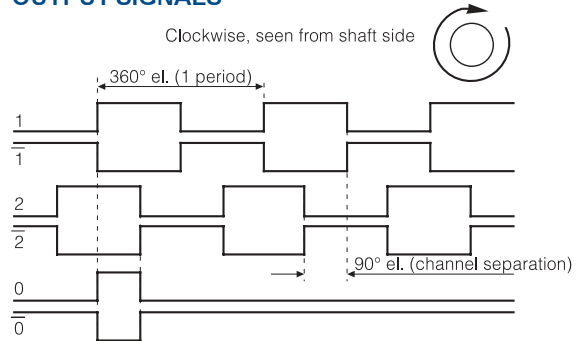
ACCESSORIES

Mating connector	
Options -00-	Part. No. 00201009 (8 pin PT)
Options -01- anged	Part. No. 00201007 (6 pin MS)
Options -05-	Part. No. 01209090 (12 pin EML)
Torque arm, Type -60-	Part. No. 01209032

OUTPUT CIRCUIT



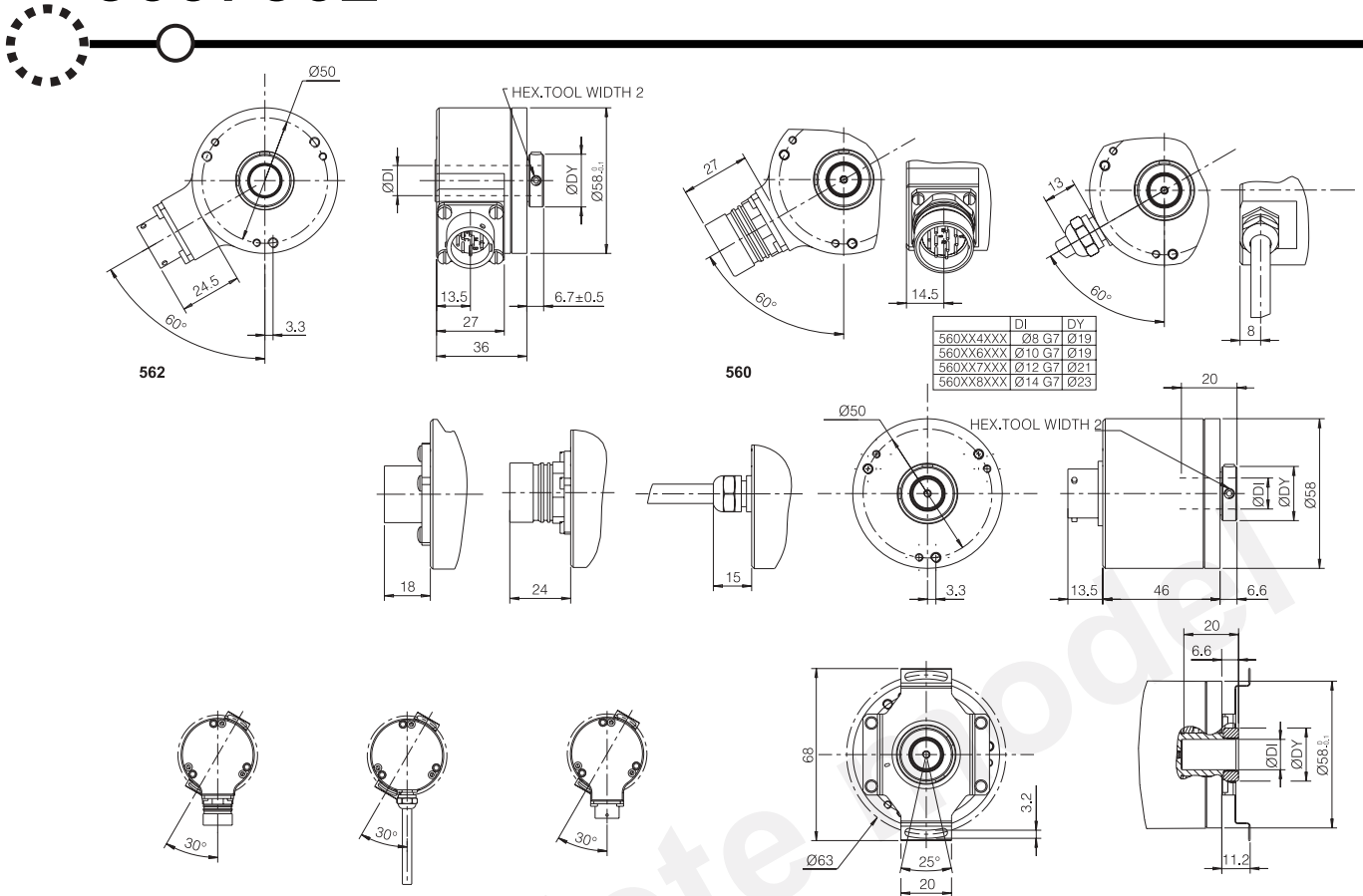
OUTPUT SIGNALS



CONNECTION

Function	8 pin PT	6 pin MS	12 pin EML	Colour
1	A	A	8	Green
$\bar{1}$	B	B	1	White
2	C	C	6	Black
$\bar{2}$	D	D	5	Yellow
+ E Volt	E	E	12	Red
0 Volt	F	F	10	Blue
0	G		3	Brown
$\bar{0}$	H		4	Violet
Case				Shield

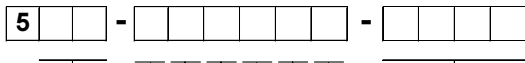
560 / 562



MECHANICAL SPECIFICATION

Shaft, Stainless steel	Hollow-shaft Ø 8, 10, 12, 14 mm
Moment of inertia	4,7 x 10 ⁻⁶ kgm ²
Load max	
Radial	20N
Axial	10N
Speed max	6000 rpm
Code disc	Standard
Temperature	
Operating	-25°C ... +70°C
Storage	-25°C ... +70°C
Housing	Aluminum, anodized
Weight	Approx. 300g
Protection class	IP 65 according to IEC 529
Vibration	<100m/s ² (50...2000 Hz)
Shock	<1000m/s ² (11ms)
Cable	6x0,25mm ² 2x0,35mm ² PVC

ORDERING INFORMATION



- Type**
 60 = Standard hollow shaft
 62 = Through hole
- Mounting**
 0 = Standard, torque arm
 1 = Stator coupling
- Option**
 0 = Standard, cable or 8-pin PT
 1 = 6 pin MS connector *
 5 = 12 pin EML connector
- Hollow shaft**
 4 = Ø 8 mm
 6 = Ø 10 mm
 7 = Ø 12 mm
 8 = Ø 14 mm
- Connection**
 0 = Connector, axial *
 1 = Cable, axial 1.5 m *
 2 = Connector, radial
 3 = Cable, radial 1.5 m
 8 = Cable, axial xx m *
 9 = Cable, radial xx m
- Supply voltage**
 1 = 5 Vdc
 5 = 9...30 Vdc
 7 = 9...30 Vdc (RS-422 outputs)
- Internal use**
 1 = 1 ... 2500 ppr
 2 = 2501 ... 3600 ppr
 4 = 4096 or 5000 ppr *
- Line counts**



Leine & Linde AB, Box 8, SE-645 21 Strängnäs, Sweden. Olivehällsvägen 8.
 Phone: +46 (0)152 265 00. Fax: +46 (0)152 265 05. E-mail: info@leinelinde.se

* Not available for type -62-.
 6 pin MS connector not available as radial outlet.
 02-05-22 PS. Specifications can be changed without prior notice.