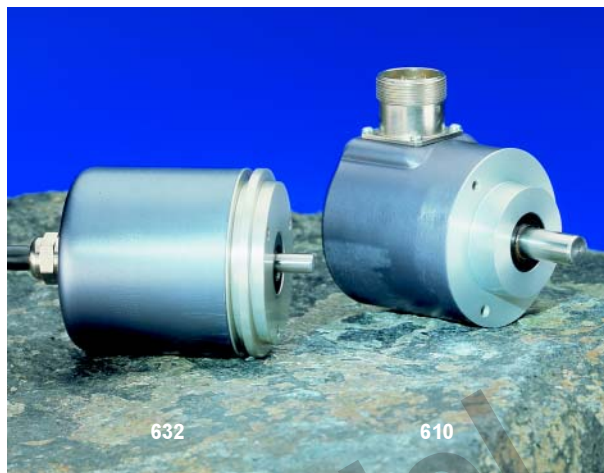


610 / 632



Industrial incremental encoders

- ▶ 6 short-circuit protected outputs
1, $\bar{1}$, 2, $\bar{2}$, 0, $\bar{0}$
- ▶ IP 65, encapsulation class
- ▶ Free choice of line counts up to 5000
- ▶ 5 Vdc or 9...30 Vdc



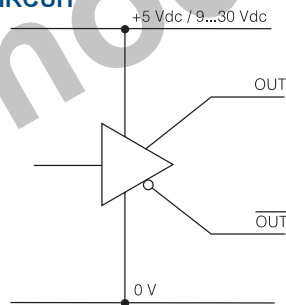
ELECTRICAL SPECIFICATION

Supply voltage +EV	9-30V	5V \pm 10%
	Polarity protected	---
Current consumption at no load	65mA @ 24V Max 75mA	45mA Max 70mA
Line counts (free choice)	1...5000	
Measuring steps	Max 20 000/r	
Accuracy		
Dividing error	$\pm 50^\circ$ el	
Channel separation	$90^\circ \pm 25^\circ$ el	
Outputs	HTL	RS-422, TTL
	Short circuit protected	
Load max	± 40 mA	± 20 mA
Max cable length	200m @ 50kHz	1km (TIA/EIA-422-B)
U_{high} (at 10mA load)	$> +EV - 2,0V$	$> 3,0V$
U_{low} (at 10mA load)	$< 1,15V$	$< 0,4V$
Frequency range	0...200kHz	

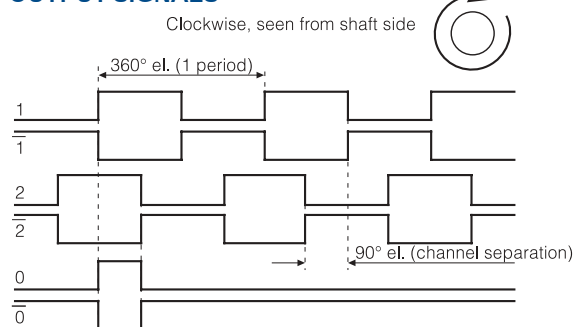
ACCESSORIES

Mating connector	
Options -00-	Part. No. 00201009 (8 pin PT)
Options -02- anged	Part. No. 00201012 (10 pin MS)
Options -05-	Part. No. 01209090 (12 pin EML)
Mounting bracket	See datasheets for accessories
Mounting kit	
Bearing box	
Couplings	

OUTPUT CIRCUIT



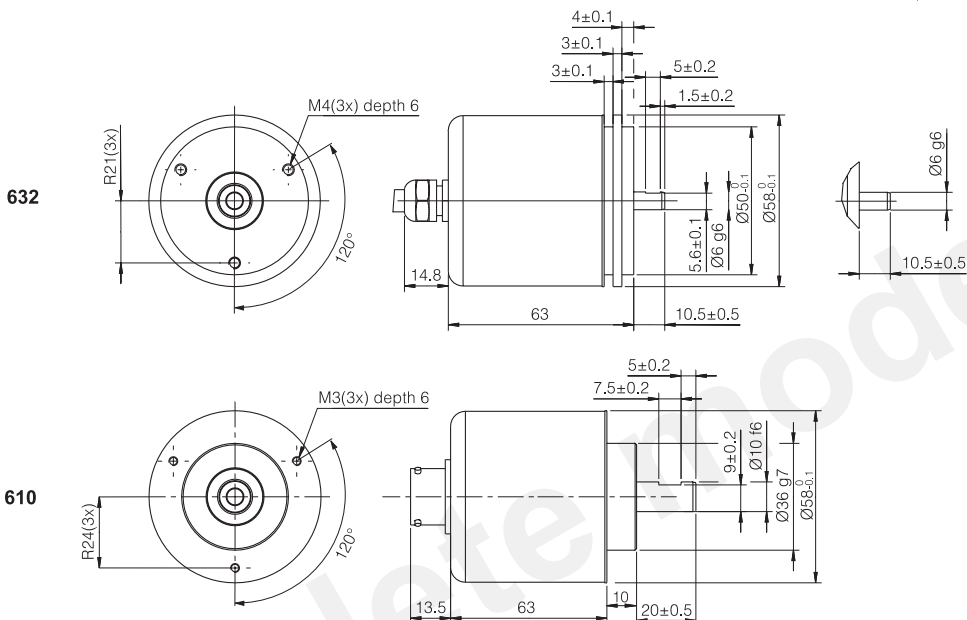
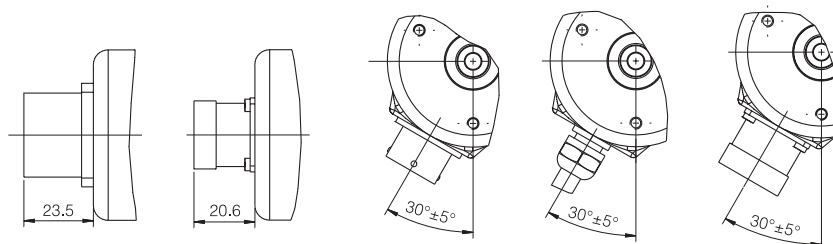
OUTPUT SIGNALS



CONNECTION

Function	8 pin PT	12 pin EML	10 pin MS	Colour
1	A	8	A	Green
$\bar{1}$	B	1	B	White
2	C	6	C	Black
$\bar{2}$	D	5	D	Yellow
+ E Volt	E	12	E	Red
0 Volt	F	10	F	Blue
0	G	3	G	Brown
$\bar{0}$	H	4	H	Violet
Case				Shield

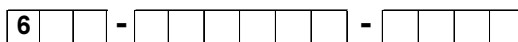
610/632



MECHANICAL SPECIFICATION

Shaft, Stainless steel	Ø 6mm, 10mm
Moment of inertia	2,6 x 10 ⁻⁶ kgm ²
Load max	
Radial	60N
Axial	50N
Speed max	6000 rpm (12000 rpm)
Code disc	Standard
Temperature	
Operating	-25°C ... +70°C
Storage	-25°C ... +70°C
Housing	Aluminum, anodized
Weight	Approx. 300g
Protection class	IP 65 according to IEC 529
Vibration	<100m/s ² (50...2000 Hz)
Shock	<1000m/s ² (11ms)
Cable	6x0,25mm ² 2x0,35mm ² PVC

ORDERING INFORMATION



Type

- 10 = Clamping flange
- 32 = Synchro flange

Option

- 00 = Standard, cable or 8-pin PT
- 02 = 10 pin MS connector
- 05 = 12 pin EML connector

Stub shaft

- 1 = Ø 6mm face
- 2 = Ø 6mm round
- 6 = Ø 10mm face

Connection

- 0 = Connector, axial (option 00, 02, 05)
- 1 = Cable, axial 1.5 m
- 2 = Connector, radial (option 00, 05)
- 3 = Cable, radial 1.5 m
- 8 = Cable, axial xx m
- 9 = Cable, radial xx m

Supply voltage

- 1 = 5 Vdc
- 5 = 9...30 Vdc
- 7 = 9...30 Vdc (RS-422 outputs)

Internal use

- 1 = 1 ... 2500 ppr
- 2 = 2501 ... 4999 ppr
- 4 = 4096 or 5000 ppr

Line counts



Leine & Linde AB, Box 8, SE-645 21 Strängnäs, Sweden. Olivehällsvägen 8.
Phone: +46 (0)152 265 00. Fax: +46 (0)152 265 05. E-mail: info@leinelinde.se

02-04-09 PS. Specifications can be changed without prior notice.