



Absolute singleturn encoder

- ▶ 12 bit
- ▶ Binary or Gray-code
- ▶ Change of counting direction via input signal
- ▶ Parallel output
- ▶ 11...30 Vdc or 5 Vdc



672

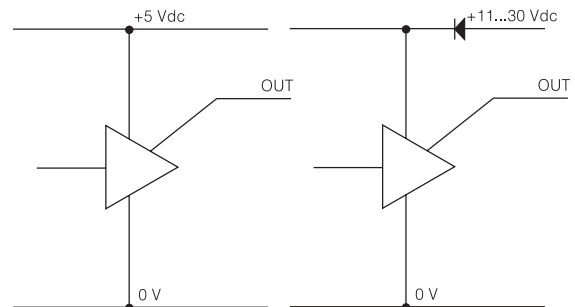
ELECTRICAL SPECIFICATION

Supply voltage +EV	11-30V	5V ±10%
	Polarity protected	---
Current consumption at no load	100mA @ 24V Max 140mA	200mA Max 240mA
Resolution	12 Bit, 4096 positions / revolution	
Accuracy	± ½ LSB	
Outputs, Parallel	HTL	TTL, RS-422
Code	Gray, Binary, Excess Short circuit protected	
Load max	± 20mA	
U _{high} (at 10mA load)	> +EV - 3,0V	> 3,0V
U _{low} (at 10mA load)	< 0,4V	< 0,4V
Frequency range	0...100kHz	
Inputs	DIRECTION	
+EV = 11-30V		
U _{high}	> +EV x 0,6	
U _{low}	< +EV x 0,25	
+EV = 5V		
U _{high}	> 2V	
U _{low}	< 0,8V	
Active	High (CCW)	
Not connected	Low (CW)	
Delay	150µs	

ACCESSORIES

Mating connector	Part. No. 00201010 (19 pin PT)
Mounting bracket	See datasheets for accessories
Mounting kit	
Bearing box	
Couplings	

OUTPUT CIRCUIT

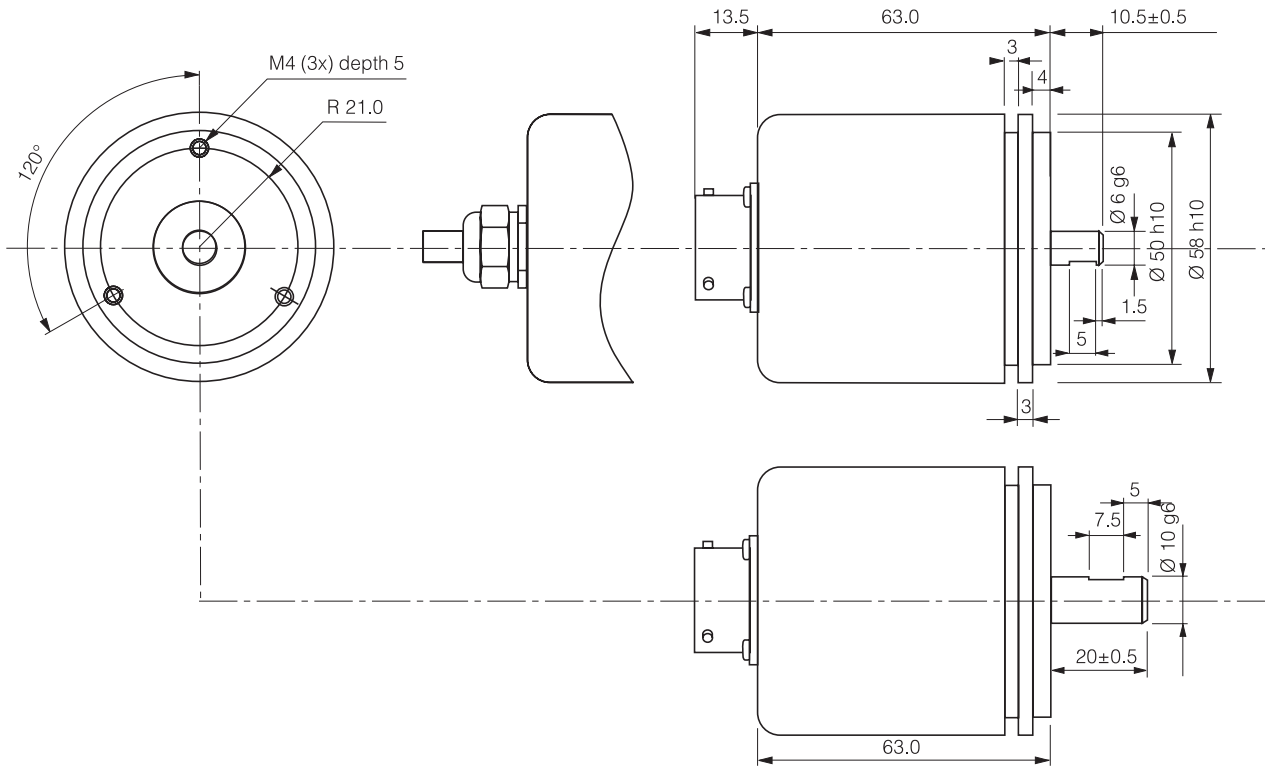


CONNECTION

Function	19 pin PT	Colour
Bit 12	A	White
Bit 11	B	Brown
Bit 10	C	Green
Bit 9	D	Yellow
Bit 8	G	Grey
Bit 7	H	Pink
0 Volt	F	Blue
+ E Volt	E	Red
Bit 6	J	Black
Bit 5	K	Violet
Bit 4	L	Grey/Pink
Bit 3	M	Blue/Red
Bit 2	N	White/Green
Bit 1	P	Brown/Green
DIRECTION	V	White/Yellow
Case		Screen

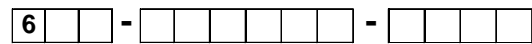


672 PARALLEL



MECHANICAL SPECIFICATION	
Shaft, Stainless steel	Ø 6mm, 10mm
Moment of inertia	1,9 x 10 ⁻⁶ kgm ²
Load max	
Radial	20N
Axial	10N
Speed max	
Mechanical	12000 rpm
Electrical	1500 rpm
Code disc	Standard
Temperature	
Operating	-25°C ... +60°C
Storage	-25°C ... +70°C
Housing	Aluminum, anodized
Weight	Approx. 300g
Protection class	IP 65 according to IEC 529
Vibration	<100m/s ² (50...2000 Hz)
Shock	<1000m/s ² (11ms)
Cable	16x0,25mm ² PVC

ORDERING INFORMATION



Type

72 = Synchro flange

Option

00 = Gray output
01 = Binary output

Shaft

1 = Ø 6 mm with face
6 = Ø 10 mm with face

Connection

0 = Connector, axial
1 = Cable, axial 1.5 m
8 = Cable, axial xx m

Supply voltage

1 = 5 Vdc
5 = 11...30 Vdc

Internal use

3 = 12 bit

Resolution

4096



Leine & Linde AB, Box 8, SE-645 21 Strängnäs, Sweden. Olivehällsvägen 8.
Phone: +46 (0)152 265 00. Fax: +46 (0)152 265 05. E-mail: info@leinelinde.se

04-06-17 PS. Specifications can be changed without prior notice.