

# PROFIBUS-DP 674/675/684/685



## Absolute single and multiturn encoders

- ▶ 13 or 25 bit with synchro-, clamping- or stator flange
- ▶ IP 64 at shaft inlet
- ▶ 58 mm diameter
- ▶ 10...30 Vdc
- ▶ Available with 6 or 10 mm stub-shaft or 12 mm hollow-shaft



674/684

675/685

674/684 Hollow shaft

## ELECTRICAL SPECIFICATION

Supply voltage +EV	10-30V
	Polarity protected
Current consumption at no load	125mA @ 24V Max 250mA
Resolution	
Singleturn	13 bit, 8192 positions / revolution
Multiturn	12 bit, 4096 distinguishable revolutions
Accuracy	± ½ LSB
Output	Profibus DP
Frequency range	9,6 kb/s - 12 Mb/s
Addressing	Decimal by coding switch, 0...99
Cable length	400m @ 1,5Mb/s

## DESCRIPTION PROFIBUS DP

Non manufacturer-specific open field bus standard with a broad area of application primarily in industrial applications. The physical interface is an RS-485 communication via a twisted pair cable. Communication is standardized in a Profibus DP profile, and the encoder's functions in an encoder profile. Two classes have been defined in the encoder profile; Class 1, which defines the basic functionality of the encoder, and Class 2, which defines the enhanced functionality such as scaling, presetting, change of code sequence, encoder identification, operating time and operating status with any alarms and warnings.

Every Profibus DP unit has an electric data sheet known as a GSD file. With the help of this file the system is configured so that the encoder can easily start to be used, i.e. "plug-and-play".

## MECHANICAL SPECIFICATION

Shaft, Stainless steel	Stub-shaft Ø 6, 10mm	Hollow-shaft Ø 12 mm
Moment of inertia	3,8 x 10 <sup>-6</sup> kgm <sup>2</sup>	4,6 x 10 <sup>-6</sup> kgm <sup>2</sup>
Load max		
Radial	60N	20N
Axial	40N	10N
Speed max	6000 rpm	
Code disc	Glass disc	
Temperature		
Operating	-20°C ... +60°C	
Storage	-30°C ... +70°C	
Housing	Aluminum	
Weight	Approx. 400g	
Protection class	IP 64 according to IEC 529	
Vibration	<100m/s <sup>2</sup> (50...2000 Hz)	
Shock	<1000m/s <sup>2</sup> (11ms)	
Connection	Screw terminal, integrated T coupling	

## CONNECTION



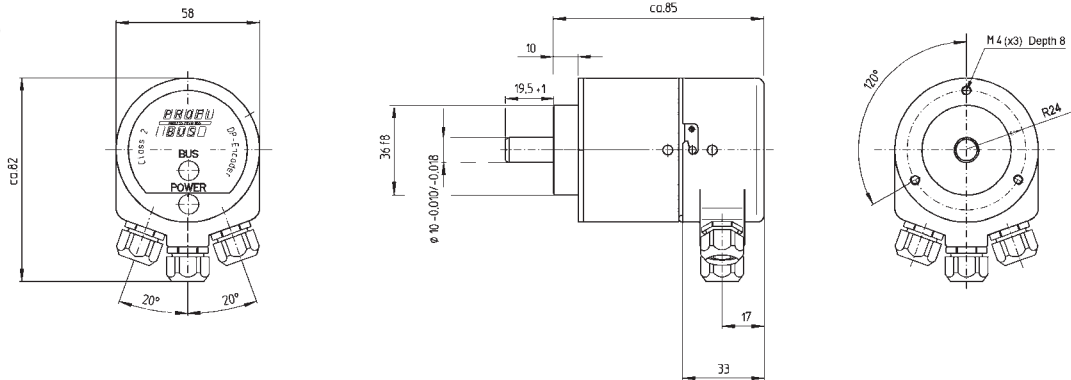
## ACCESSORIES

GSD file	Part. No. 01290025
Mounting bracket	See datasheets for accessories
Mounting kit	
Bearing box	
Couplings	

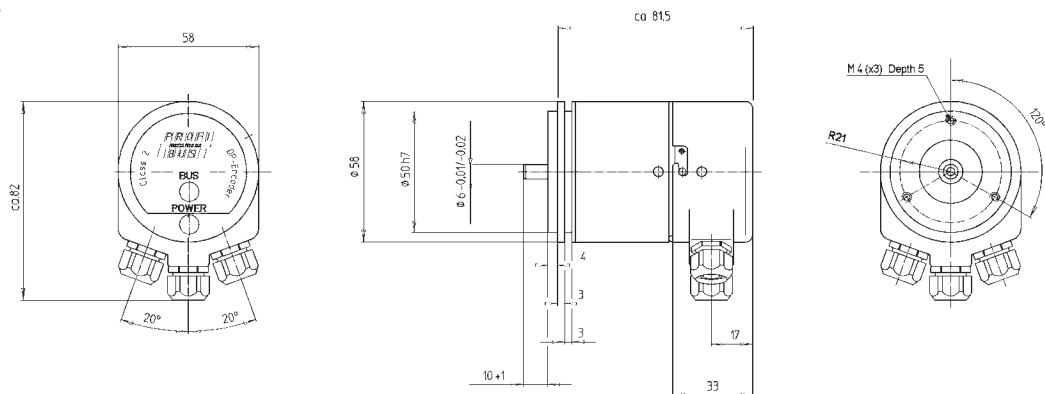
# 674/675/684/685 PROFIBUS-DP



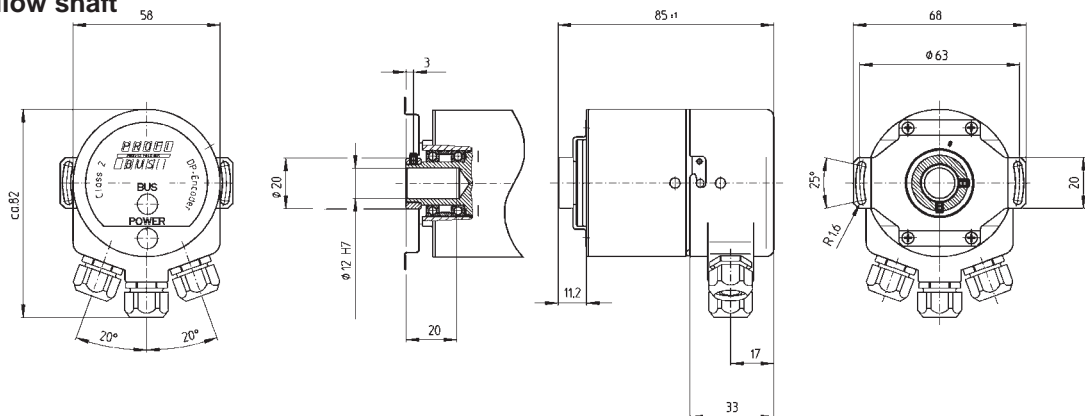
**675 / 685**



**674 / 684**



**674 / 684 Hollow shaft**



## ORDERING INFORMATION

### Available models

**674 502951**

13 Bit singleturn with 6mm stub-shaft and synchro flange

**675 504951**

13 Bit singleturn with 10mm stub-shaft and clamping flange

**684 502951**

25 Bit multiturn with 6mm stub-shaft and synchro flange

**684 505951**

25 Bit multiturn with 12mm hollow-shaft and stator coupling

**685 504951**

25 Bit multiturn with 10mm stub-shaft and clamping flange



Leine&Linde AB, Box 8, SE-645 21 Strängnäs, Sweden. Olivehällsvägen 8.  
Phone: +46 (0)152 265 00. Fax: +46 (0)152 265 05. E-mail: info@leinelinde.se

04-06-17 PS. Specifications can be changed without prior notice.