

CAN Gateway

CAN Gateway for EnDat encoders

- ▶ **CAN interface:**
CANopen, DeviceNet
- ▶ **Same gateway can be used with all EnDat encoders**
- ▶ **Integrated T-coupling and bus termination**



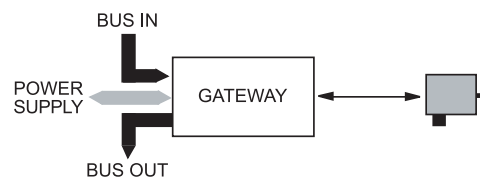
ELECTRICAL SPECIFICATION

Supply voltage +EV	9-30V
	Polarity protected
Current consumption incl. multium encoder.	100mA @ 24V Max 170mA
Startup delay	600 ms
Encoder connection	EnDat
Power supply	5 Vdc ±5%
Clock frequency	500 kHz
Cable length	Max 40m
Output	CANopen Support of CAN spec. 2.0 A and B
Baudrate	10 kb/s - 1 Mb/s
Baudrate setting	Decimal by code switch or CAN message
Address setting	
Cable length	100m @ 500kb/s
Output	DeviceNet, Position Sensor Object Class code 23h
Baudrate	125kb/s, 250kb/s, 500kb/s
Baudrate setting	Automatic detection
Address setting	MAC id via code switch
Cable length	500m @ 125kb/s
Update frequency	> 2kHz
Delay	< 0,5ms

ADVANTAGES OF THE GATEWAY CONCEPT

1. The Gateway allows the use of a small and robust encoder.
2. Costeffective exchange of encoder (no need to change the Gateway).
3. Reduction of Bus-cabling (only one cable between Gateway and encoder).
4. Flexible choice of encoders as the same Gateway can be used with different encoders.
5. Advanced diagnostics integrated in the basic encoders, together with the sensing parts.
6. Allows operation of encoder in high temperature and hard environmental conditions.

CAN GATEWAY



ACCESSORIES

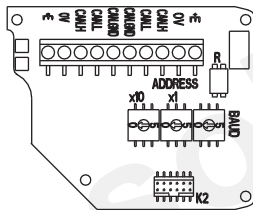
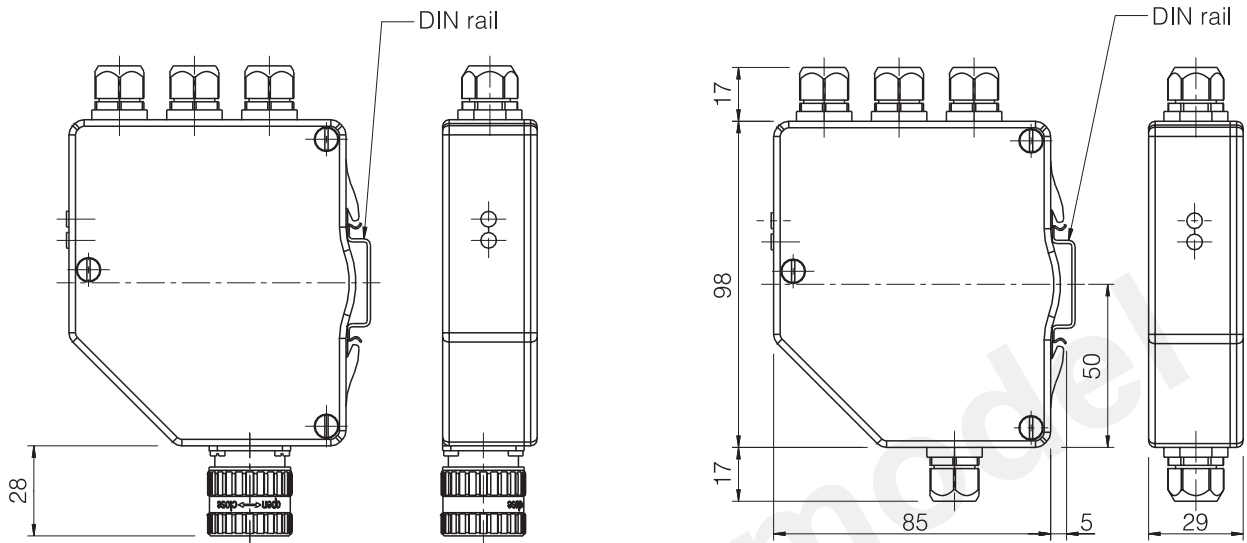
CAN-Open EDS file	Part. No. 01290014
DeviceNet EDS-file	Part. No. 01290027
Cable to encoder	
2m	Part. No. 00201045
3m	Part. No. 00201057
20m	Part. No. 00201056
Free length	Part. No. 01209050
Encoders	See datasheet for EnDat encoders

CONNECTION

EnDat Function	17 pin EML	CAN Function	Terminal
Sensor + 5 Volt	1	+E Volt	1
Sensor 0 Volt	4	0 Volt	2
+ 5 Volt	7	CAN_H	3
0 Volt	10	CAN_L	4
Clock	8	CAN_GND	5
Clock	9	CAN_GND	6
Data	14	CAN_L	7
Data	17	CAN_H	8
		0 Volt	9
		+E Volt	10



Gateway CAN



MECHANICAL SPECIFICATION

Housing	Aluminium
Weight	Approx. 400g
Protection class	IP 65 according to IEC 529
Temperature	
Operating	-30°C ... +85°C
Storage	-40°C ... +85°C
LED indication	Power and Bus
Connection	Screw terminal, integrated T coupling

ORDERING INFORMATION

Available models

01300230
CANopen Gateway with connector

01300235
CANopen Gateway with 2m cable and connector

01300240
DeviceNet Gateway with connector

01300245
DeviceNet Gateway with 2m cable and connector

Leine&Linde ISO 9001 / ISO 14001 certified

Leine&Linde AB, Box 8, SE-645 21 Strängnäs, Sweden. Olivehällsvägen 8.
Phone: +46 (0)152 265 00. Fax: +46 (0)152 265 05. E-mail: info@leinelinde.se

05-11-09 KS. Specifications can be changed without prior notice.