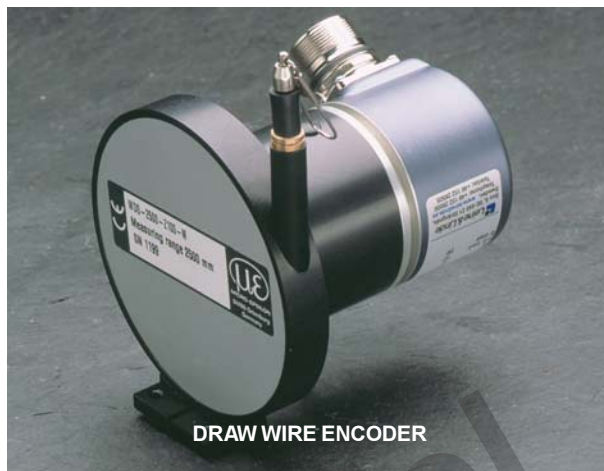


Draw wire encoder



Incremental draw wire encoder

- ▶ **Measuring range**
1500, 2500 or 5000 mm
- ▶ **6 short-circuit protected outputs**
1, 1̄, 2, 2̄, 0, 0̄
- ▶ **IP 65, encapsulation class**
- ▶ **5 Vdc or 9...30 Vdc**



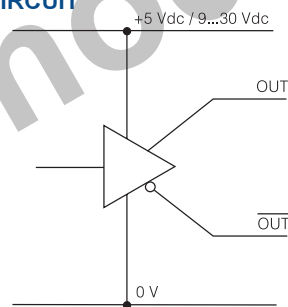
ELECTRICAL SPECIFICATION

Supply voltage +EV	9-30V	5V ±10%
	Polarity protected	---
Current consumption at no load	65mA @ 24V Max 75mA	45mA Max 70mA
Line counts	1 pulse/mm	10 pulses/mm
1500mm measuring range	150ppr	1500ppr
2500mm measuring range	250ppr	2500ppr
5000mm measuring range	500ppr	5000ppr
Measuring steps	4 x Linecounts	
Accuracy	See Linearity	
Outputs	HTL	RS-422, TTL
	Short circuit protected	
Load max	± 40mA	± 20mA
Max cable length	200m @ 50kHz	1km (TIA/EIA-422-B)
U _{high} (at 10mA load)	> +EV - 2,0V	> 3,0V
U _{low} (at 10mA load)	< 1,15V	< 0,4V
Frequency range	0...200kHz	

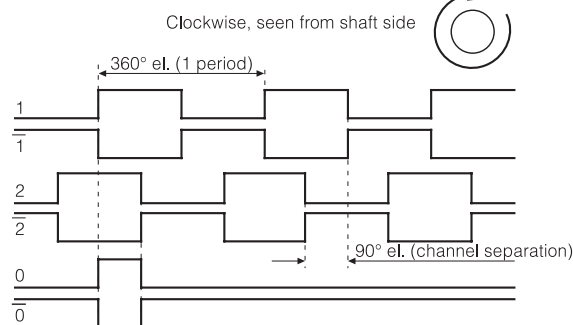
ACCESSORIES

Mating connector	Part. No. 01209090 (12 pin EML)
Guide pulley, adjustable	Part. No. 00208038

OUTPUT CIRCUIT



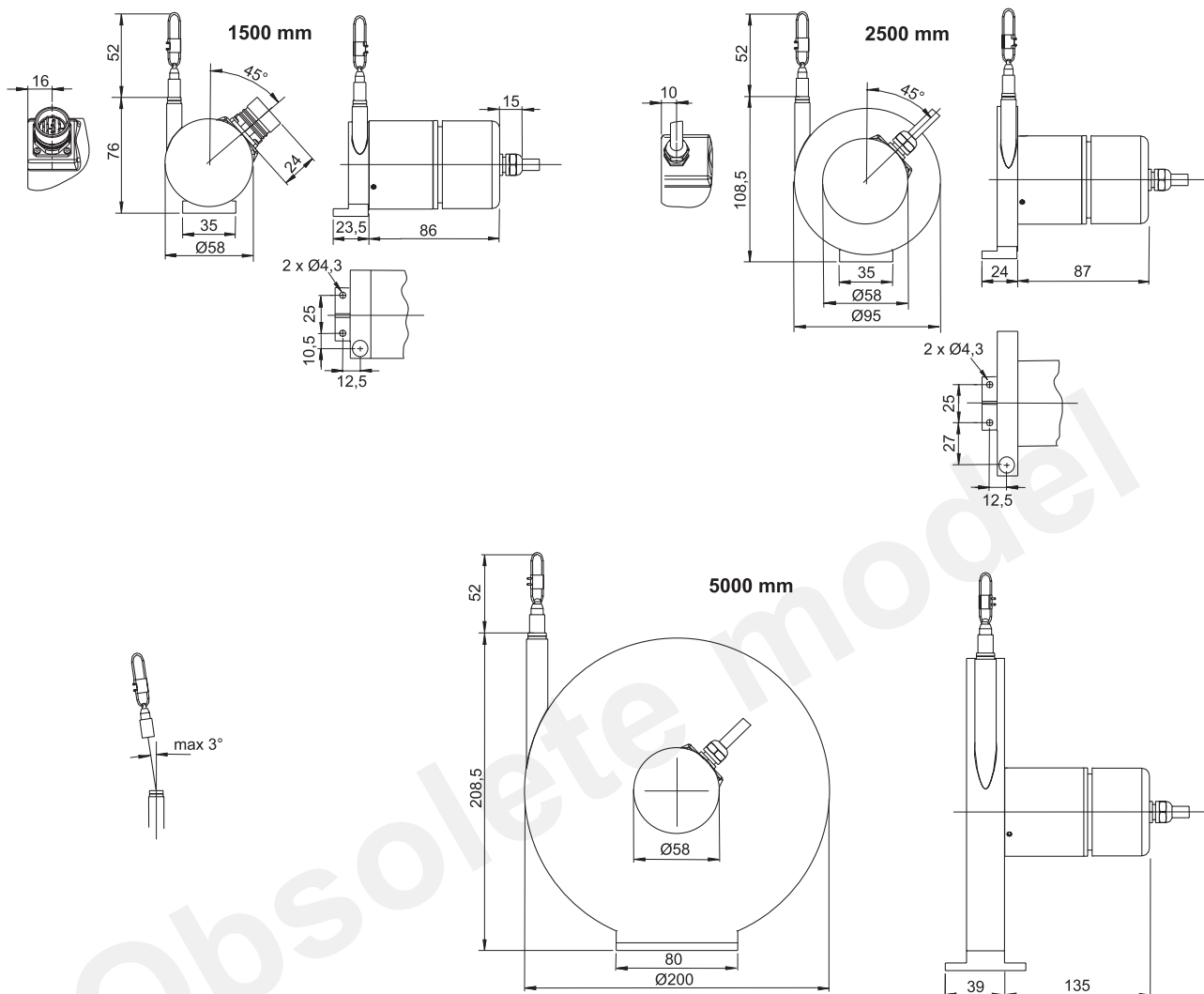
OUTPUT SIGNALS



CONNECTION

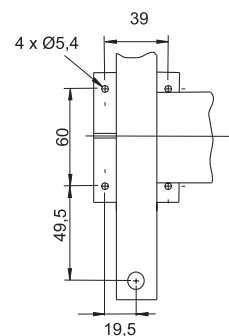
Function	12 pin EML	Colour
1	8	Green
1̄	1	White
2	6	Black
2̄	5	Yellow
+ E Volt	12	Red
0 Volt	10	Blue
0	3	Brown
0̄	4	Violet
Case		Shield

Draw wire encoder



MECHANICAL SPECIFICATION

Wire unit	WDS Z60	WDS Z100	WDS Z200
Measuring range	1500mm	2500mm	5000mm
Linearity <0,02% FSO	±0,3mm	±0,5mm	±1mm
Encoder revolutions FSO	10	10	10
Wire retraction force	>3,5N	>2N	>2,5N
Wire extension force	<5,5N	<3,5N	<3,5N
approx. weight	600g	650g	2000g
Max wire misalignment	± 3°		
Temperature			
Operating	-20°C ... +70°C		
Storage	-20°C ... +70°C		
Material			
Housing	Aluminum, anodized		
Wire	Coated polyamid stainless steel		
Protection class	IP 65 according to IEC 529		
Vibration	<100m/s ² (50...2000 Hz)		
Shock	<500m/s ² (11ms)		
Expected lifetime	>1 million cycles		
Electrical cable	6x0,25mm ² 2x0,35mm ² PVC		



ORDERING INFORMATION

Please, contact Leine & Linde for further information.



Leine & Linde AB, Box 8, SE-645 21 Strängnäs, Sweden. Olivehällsvägen 8.
Phone: +46 (0)152 265 00. Fax: +46 (0)152 265 05. E-mail: info@leinelinde.se

03-04-15 PS. Specifications can be changed without prior notice.